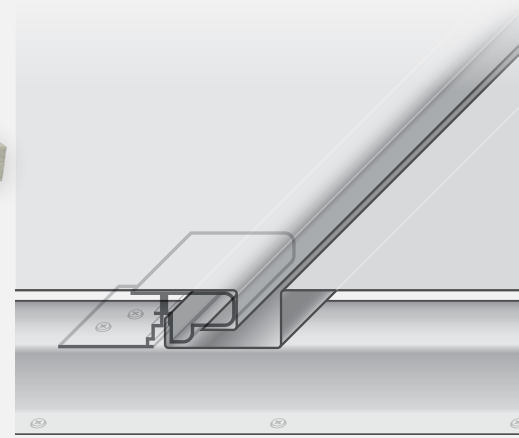


CASSETTE PANELS (for wider panels)



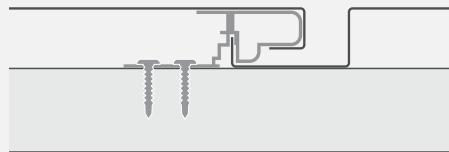
Uses:



Wall cladding



Soffit cladding



FPS Cassette panel profile and installation shown on top hat beam.

Benefits:

- Smooth looking system, flat in appearance with negative details.
- Natural ventilated air flow.
- Allows for a wider panel due to simple fold design and fixed by use of an aluminium extrusion clip.
- Interlocking panel system is a solid panel installed directly on to a galvanised top hat, then fixed directly onto the structural element of the building.
- Fully waterproof without the use of exposed mastics and sealants. Classified as a rain screen system allowing water to flow without entering the wall structure.
- Flexibility in the appearance of the system as joints can vary from 20-30 mm. Panels are adaptable in width to exactly suit opening.
- Economical as it creates minimum wastage of materials.



CASSETTE PANELS (for wider panels)

Available in

Material	Aluminium PVDF coated	Zinc	Copper	Corten [†]
Thickness	Min. 1.0mm	Min. 1.5mm	Min. 1.2mm	Min. 1.5mm
Panel length	Please consult us at design stage.	Please consult us at design stage.	Please consult us at design stage.	Please consult us at design stage.
Panel width	400-900mm. Standard width n/a	400-900mm. Standard width n/a.	500-900mm. Standard width n/a.	600-900mm. Standard width n/a
Directions	Vertical and horizontal.	Vertical and horizontal.	Vertical and horizontal.	Vertical and horizontal.

System build up

- Wall structure** Must allow top hats to be fixed at min. 800mm centre.
- Direct support** Top hats, galvanised 1.15mm x 35mm fixed at max. 500mm centre in opposite direction to direction of panels.
- Underlay** Fully breathable and waterproofed membrane.
- Fixings** Fix interlocking panels to top hats at max. 500mm centre and max 100mm from end of panel using aluminium extrusion clips.

Fully designed, build up system

Fully supported cladding system including plywood, membrane, metal and fixings, complete with all flashings, trims and waterproofed details meeting adjoining building materials.

- Warranty** Min. 10 years warranty, covering both material, installation and waterproofing.
- Materials** Cassette panels available in materials and colours as above.
For aluminium, must be 3005 alloy with min. H42 temper. Only PVDF coated aluminium, with a primer and min. two layer paint is suitable for this application.
- Manufacture** ZC Technical's state-of-the-art machinery has been specifically developed to work with non-ferrous precious metals. Our manufacturing facility has been purpose-built to roll form, fold, curve and pack materials in accordance with the requirements of these type of metals. Only metals formed in ZC Technical's facility form part of the system to ensure full warranty.



For a full listing of materials and colours available, visit:
www.zctechnical.com.au/products/fps-cassettes/



ZINC | COPPER | ALUMINIUM | STAINLESS STEEL

zctechnical.com.au | T 07 3265 2785 | E information@zctechnical.com.au

zc technical